

TASKI®

ULTIMAXX



A MACHINE THAT IS AS
UNIQUE & FLEXIBLE AS
YOUR BUSINESS

ULTIMATE FLEXIBILITY, MAXIMUM PRODUCTIVITY

The all new **TASKI ULTIMAXX** range offers a wide range of possibilities to meet the highest expectations.

This new level of modularity allows you to customize the machine for the cleaning process with flexible selection of working width and brush decks.

Brush decks: Single disc | Dual disc | Dual disc TWISTER PLUS | Dual cylindrical with hopper | Orbital rectangular



SINGLE DISC

The new single disc deck has direct gear construction, significantly improving length of use combined with perfect water distribution for reliably high cleaning standards.



ORBITAL

Deep cleaning and top stripping made easy with robustly designed orbital head technology that minimises vibration. Combined with TWISTER diamond pads, the orbital deck becomes a chemical-free, multipurpose deck.



DUAL CYLINDER WITH HOPPER

The new ultra-robust dual cylinder roller brush deck sweeps and cleans in a single pass, reducing the need for pre-sweeping on structured floor surfaces.



DUAL DISC

Dual disc technology allows high productivity in combination with excellent cleaning results. The offset dual disc brush decks allows simple, water-efficient close-to-wall cleaning. Also available as TWISTER version.

ULTIMATE INTELLIGENCE, MAXIMUM PERFORMANCE

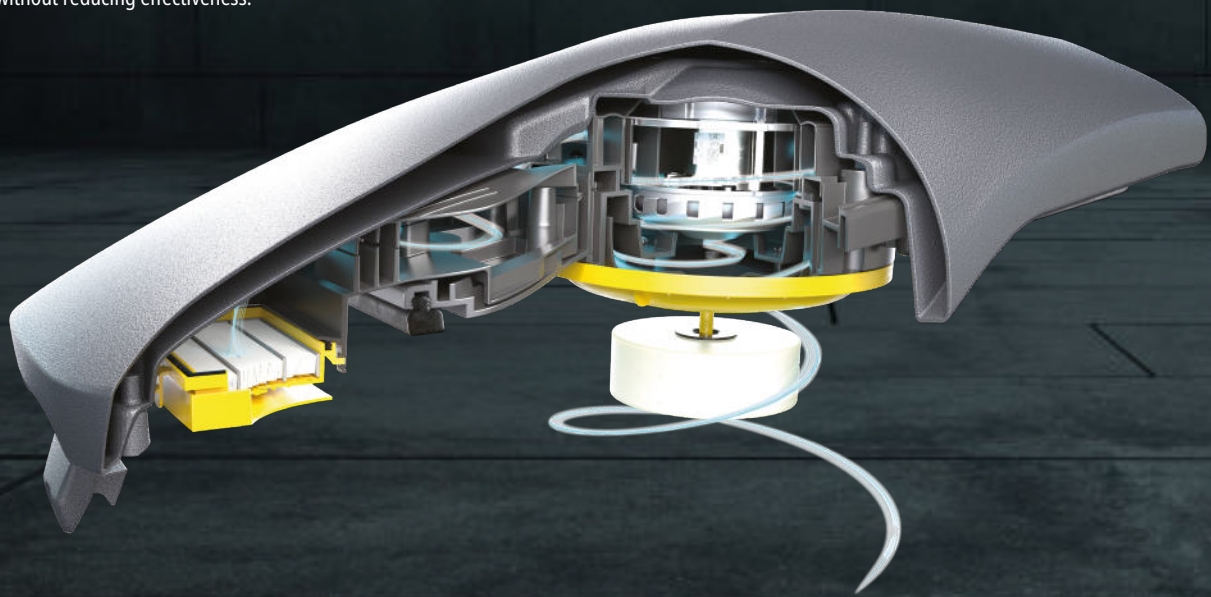
Introducing the new ULTIMAXX scrubber range, the next generation of the ULTIMATE cleaning machines.

Physically these machines set a new benchmark in design, construction and performance. Integrated modular brush deck technology and HEPA filtration in sure more dirt is picked up, and less of it fed back into the air.



WHISPER PATENT

TASKI ULTIMAXX includes patented whisper technology as standard. This cutting-edge technology reduces decibel levels, without reducing effectiveness.



The TASKI ULTIMAXX range includes, as standard, patented TASKI whisper technology. This unique airflow system guarantees optimized suction and immediate noise absorption. With our unique cutting-edge technology the operation is extremely quiet with 63db(A) and with the eco mode it can reach as low as 60db(A).

UNPARALLELED HYGIENE AND EFFICIENCY

Cleaning excellence and quick drying performance deliver unparalleled hygiene standards.

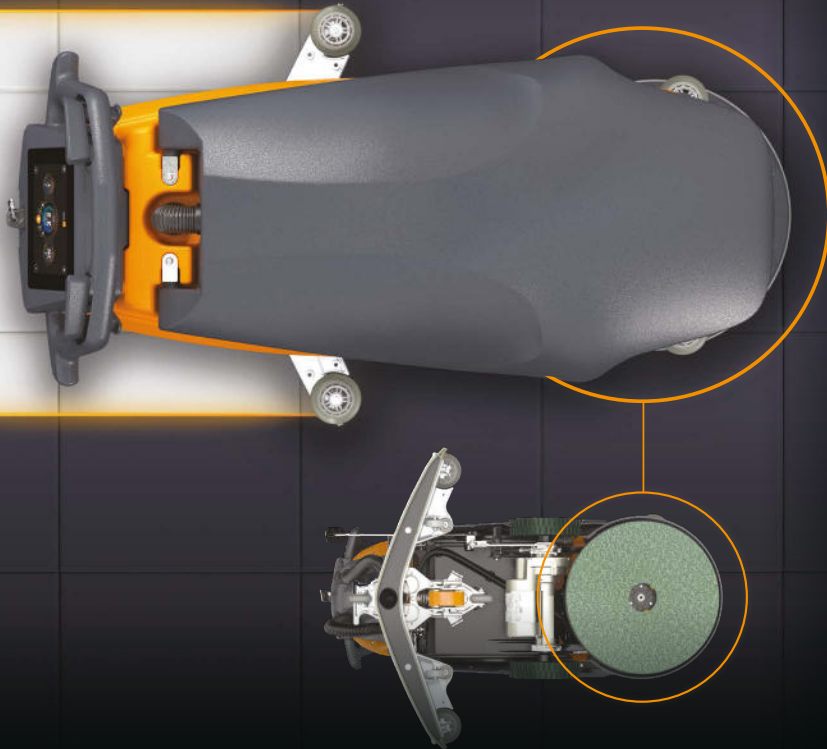
Brush deck technologies that suit every floor type, soilage level and cleaning task guarantee excellence, no matter the environment and always utilizing the most efficient water and chemical usage.

All in combination with TASKI patented Squeegee technology instantly drying floors for the highest safety standard.

INTELLISCRUB

IntelliScrub's dynamic, easy-to-initiate cleaning adapts to the needs of the environment.

Standard on all ULTIMAXX walk-behind scrubbers, it's innovation like this that creates market beating cleaning results.



ALWAYS CLEANING AND NEVER OUT OF THE GAME

TASKI ULTIMAXX doesn't just take care of cleaning, it also takes care of itself.

Game-changing predictive component management highlights maintenance opportunities, before they disrupt operations.

Proactive maintenance creates greater efficiency through minimizing mechanical downtime.

INTELLITRAIL

IntelliTrail 2.0 is a giant technological leap forwards for fleet management, machine insight, remote service and software updates.

This next generation of technology records, stores and communicates many data points during operation. Over time, combined with service history and other data sets, customers can understand the use and operation of their machine fleet in a way that has never been available. This leads to a new to the world proactive uptime management with predictive maintenance.



THE TECHNOLOGY TO EMPOWER YOU

The smart design and technology in the TASKI ULTIMAXX puts the user in full control of the machine, controlling speed via the handle with hall sensors.

TASKI ULTIMAXX's top speed of 4.5kmh can be adjusted and set to any level using the machine controls. The speed setting can also be saved with IntelliKey so that each user will have the right setting assigned.



INCOMPARABLE EFFICIENCY FOR ULTIMATE PRODUCTIVITY

The new TASKI ULTIMAXX range resets the limits and allows unmatched cleaning efficiency based on smart resource management. The highest m2 performance in the market based on IntelliFlow water management technology.

This high-precision technology works with smart electronics within the water and chemical pump system. Dynamic dosing volumes (as low as 20ml/m2) are adjusted based on machine speed.

The new ULTIMAXX range also uses new eco-efficient IntelliScrub technology to create dynamic variation of brush pressure or suction, extending the operational run to its maximum.

All of which is combined with the patented ultra-silent TASKI whisper technology delivering excellent, but discrete, cleaning results.



INTELLIFLOW

TASKI IntelliFlow takes the laborious out of optimizing water flow and chemical dosing and on average optimizes both by 76%

Clean longer with less downtime using IntelliFlow.



CONNECTED TECHNOLOGY

This next generation of technology records, stores and communicates many data points during operation. Over time, combined with service history and other data sets, customers can understand the use and operation of their machine fleet in a way that has never been available. This leads to a new to the world proactive uptime management with predictive maintenance.



BATTERY

Battery health management including charging recommendations.



SERVICE

Predictive Maintenance: analyzing information flow on a machine to anticipate disruption.

TAKE BACK CONTROL

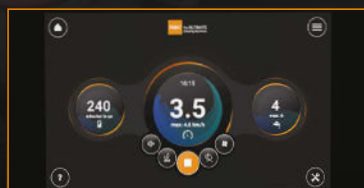
IntelliTouch is multi-touch display at its most efficient.

With an intuitive and ergonomic design, the multi-touch display has a visual language that is simple and easy-to-follow. Visual settings such as sliders can be adjusted with precision and access to additional tutorials and help functionality is built into the user interface. Securely locked with IntelliKey NFC technology, machines are protected from misuse and users can immediately find the cleaning programs and settings that are right for them.

Ease of operation, driving ease of use that delivers efficient cleaning results with direct information's from Intellitrail or machine electronic.



A design that not only works for you but empowers you - Ergonomic design and operation for efficient ease of use.



TECHNICAL DATA - ULTIMAXX 1900

	Single Disc		Double Disc		Double Cylinder	Orbital
	43cm	50cm	55cm	55cm twister	55cm	50cm
Theoretical performance per hour (m2/h)	1935m2/h	2250m2/h	2475m2/h	2475m2/h	2475m2/h	2250m2/h
Practical performance	1451m2/h	1688m2/h		1856m2/h	1856m2/h	21688m2/h
Theoretical max reach per tank)	1900m2/h					
Brush drive system						
Working width	43cm	50cm	55cm	55cm	55cm	50cm
Brush system	1 x 43cm	1 x 50cm	2 x 28cm	2 x 28cm	2 x 55cm	
Brush pressure max.	40kg				18.8kg	40kg
Brush pressure max.	25g/m2	20g/m2	35g/m2	35g/m2	85g/m2	22g/m2
Brush pressure levels	Adjustable				26/40	26/40
Brush speed	161 1/min	151 1/min	165 1/min	550rpm 1/min	-	-
Solution & recovery tank						
Solution tank	43l					
Recovery tank	45l					
Solution control	6 levels (22ml/m2 - 140ml/m2)					
Propelling system						
Drive motor	Yes					
Working speed	4.5km/h					
Transport speed	5km/h					
Speed control	Adjustable					
Battery system						
System voltage	24V					
Battery run time power mode	< 3h					
Battery run time eco mode	< 4h					
Machine specifications						
Machine weight net	88kg	92kg	93kg	93kg	104kg	97kg
Machine weight – ready to use	188kg	192kg	193kg	193kg	204kg	197kg
Noise level standard	63dB(A)					
Noise level eco mode	60dB(A)					
Dimensions (L x W x H) w/o squeegee	122x49x112cm	125x54x112cm	120x60x112cm	120x60x112cm	121x54x112cm	123x53x112cm
Approvals/ Protection Class	IPX3					
Configuration performance version						
Wheel drive	Yes					
Battery	Gel 76AH or Li-ion 50AH, 100AH					
Charger	Internal or external					
Amp hour display	Standard					
Whisper technology	Standard					
High quality V shape squeegee	Standard					
Yellow maintenance points	Standard					
IntelliKey NFC	Standard					
IntelliScrub	Standard					
IntelliFlow precision pump	Standard					
LED lights	Standard					
IntelliDose PLUS	Option					
HEPA filtration	Option					
IntelliBac	Option					
IntelliTrail-Remote	Option					
Acquastop	Option					
IntelliTouch – touch screen	Option					
Electronic brush unit (EBU)	Option					
Accessory holder	Option					
Available as non wheel drive	Yes	Yes	Yes	No	Yes	No